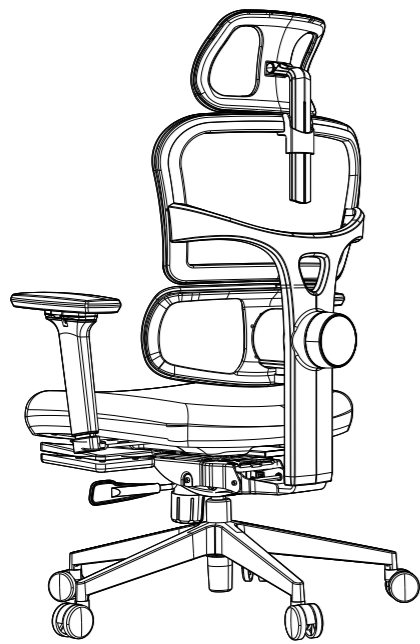


Newtral Chair Pro Version Assembling Instruction

NEWTRAL
ERGONOMIC CHAIR



User Manual

PARTS LIST
(Note: Drawings are only for reference)

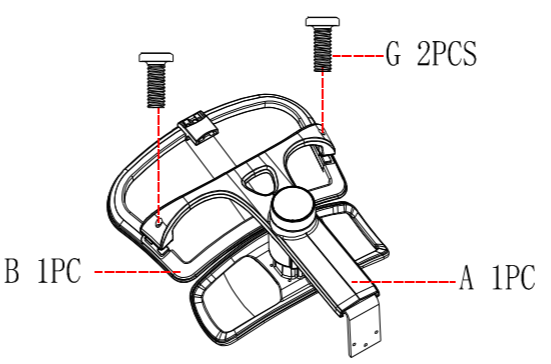
NT002 A/0

A 1PC	B 1PC
C 1PC	D 1PC
E 1SET	F 1PC

HARDWARE PARTS
(Note: Drawings are only for reference)

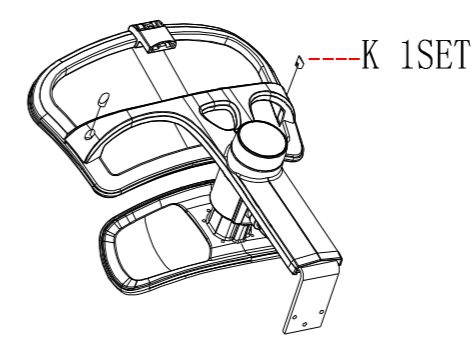
G M6*16mm 2 PCS	H M6*50mm 4 PCS
I M6*30mm 6 PCS	J M8*16mm 3 PCS
K 1SET	L 5mm (120*40) 1 PC
M 1PC	N 5PCS
O 1PC	

STEP 1



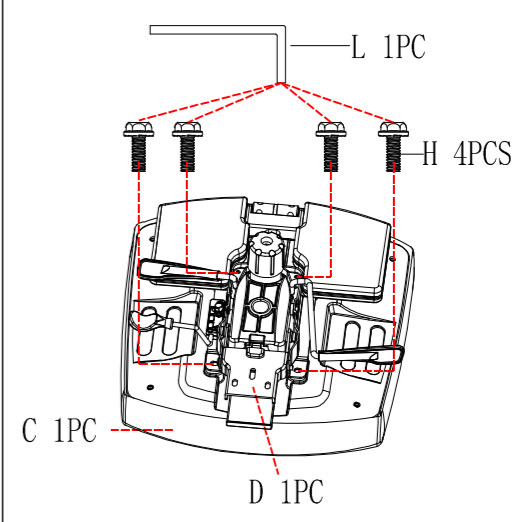
1

STEP 2



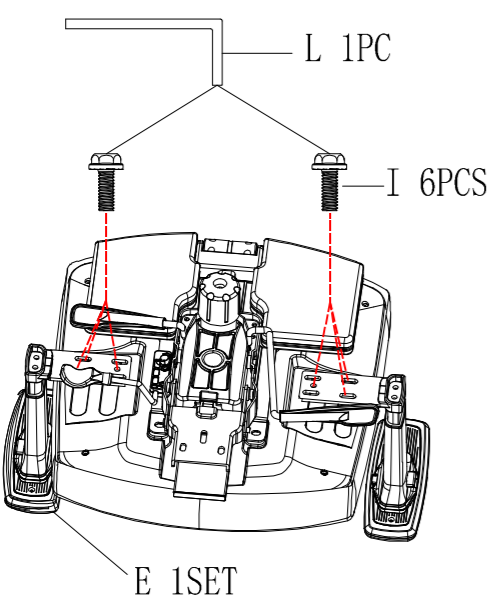
2

STEP 3



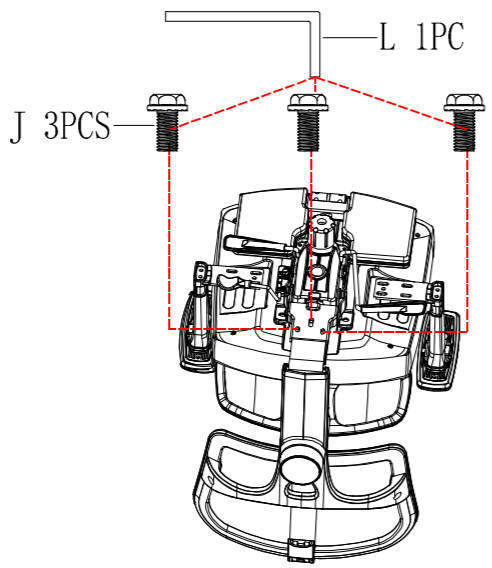
3

STEP 4



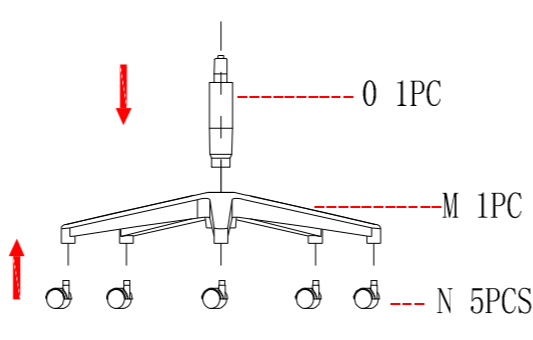
4

STEP 5



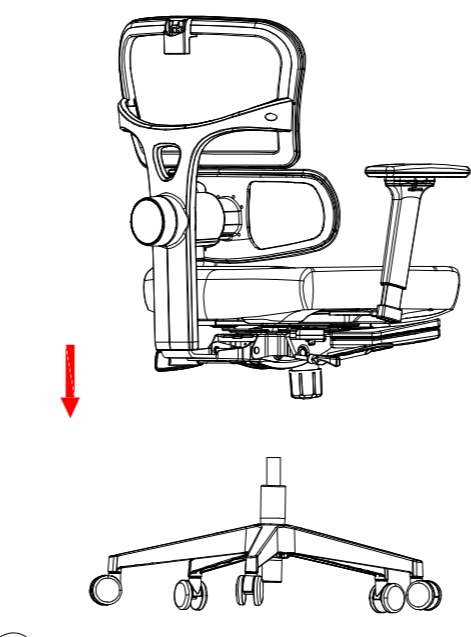
5

STEP 6



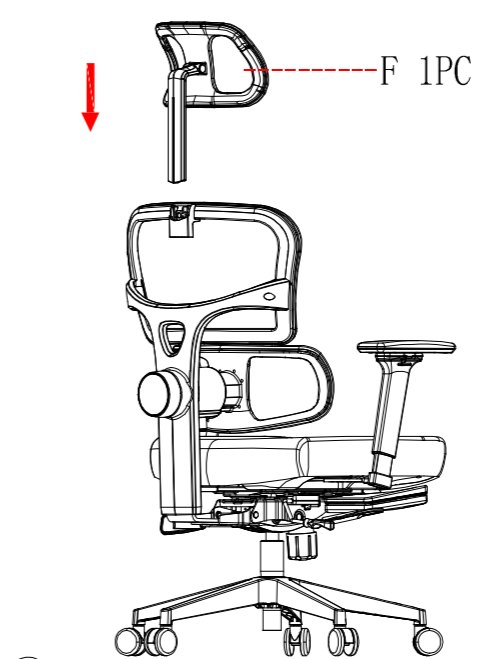
6

Step 7




7

Step 8



8

STEP 9



9

Newtral Chair Pro Version Function Adjusting

ERGONOMIC CHAIR



Adjustment Manual

Back rest height adjustment



Armrest adjustment



1- Height adjustment
2- Depth adjustment
3- Width adjustment

Mechanism functions



1- Seat depth adjustment
2- Seat height adjustment

Mechanism functions



1- Tilt tension adjustment
2- Synchro-tilt function
(lockable in 4 positions)

Low back support strength adjustment



Low back support 5 lockable positions



Headrest adjustment



1- Height adjustment
2- Pivot adjustment

Footrest adjustment



1- Pull out the footrest
2- Rotate the footrest