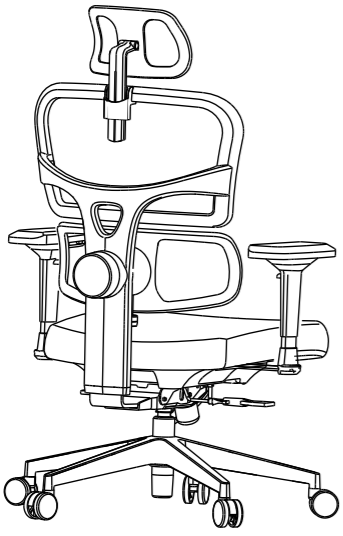
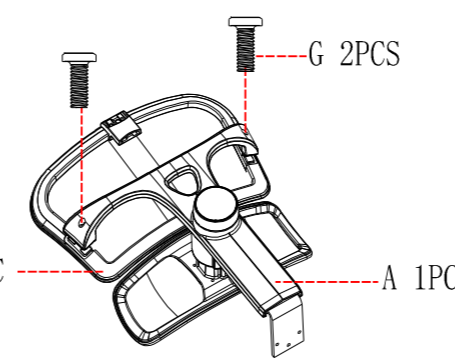
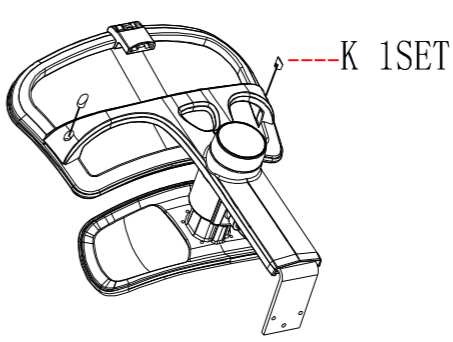
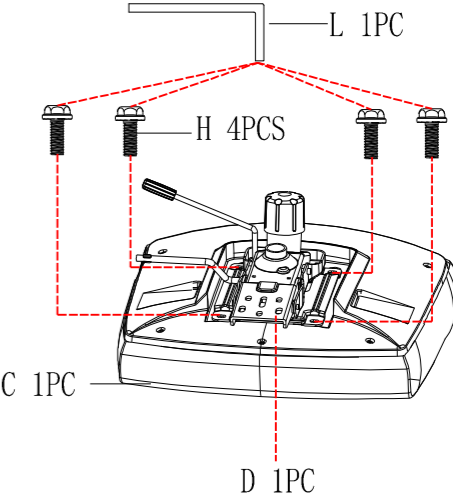
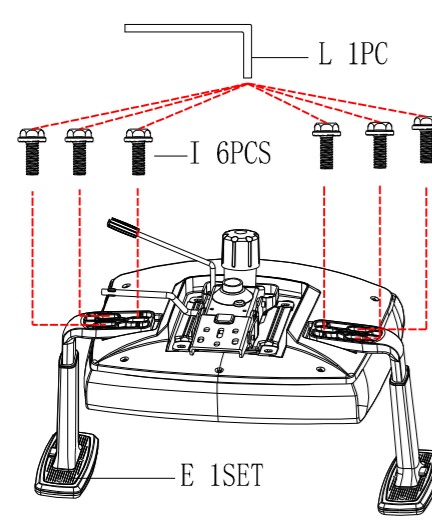
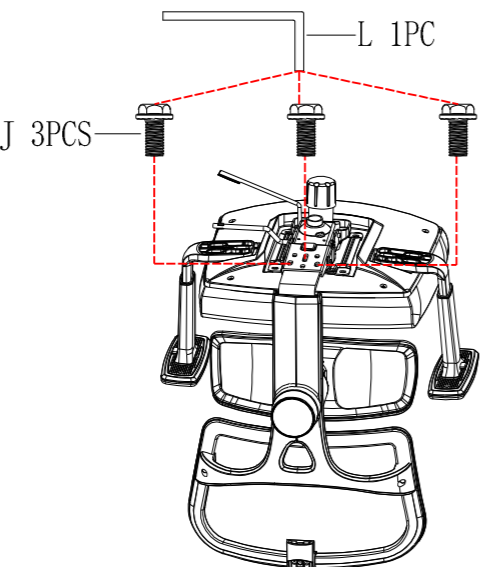
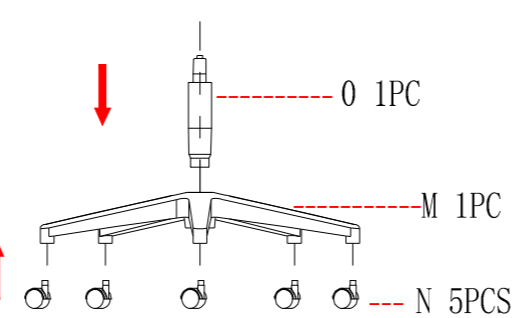
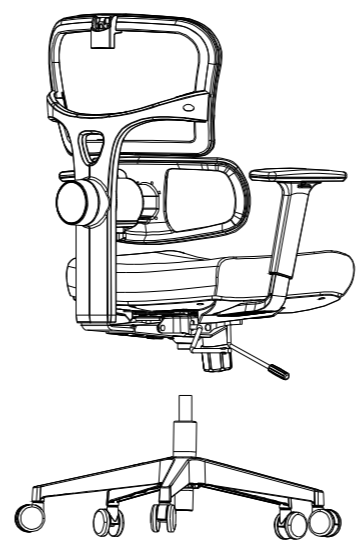
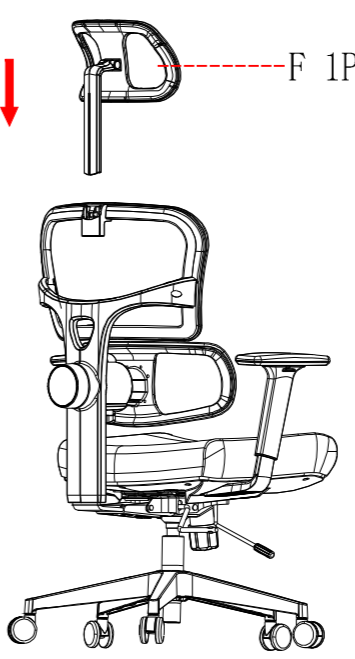

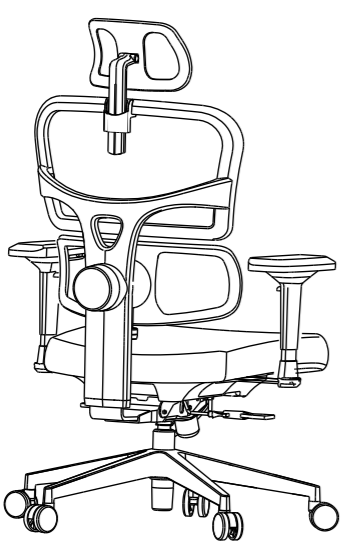
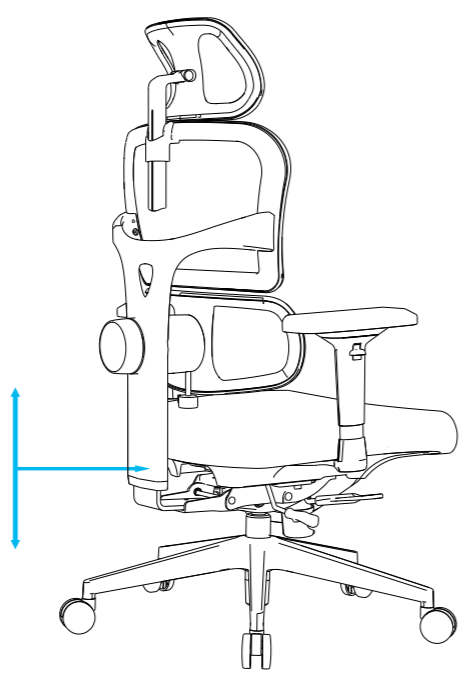
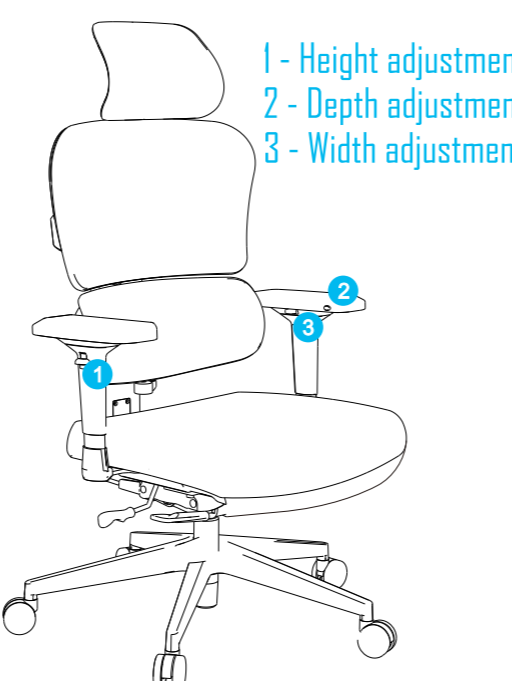
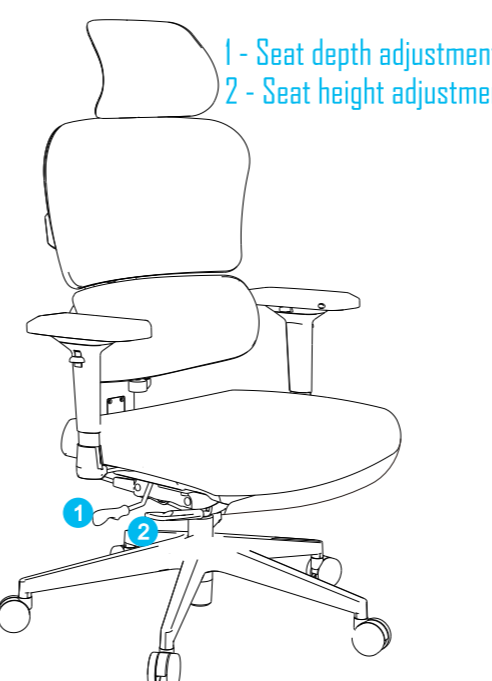
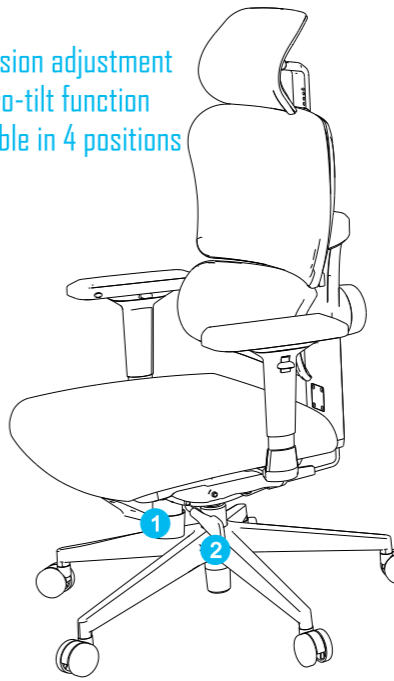
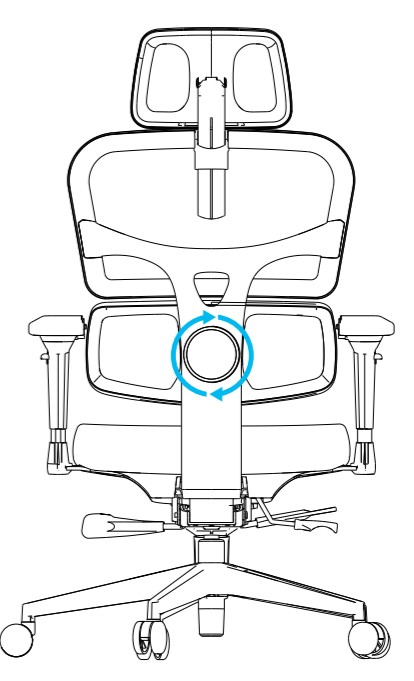
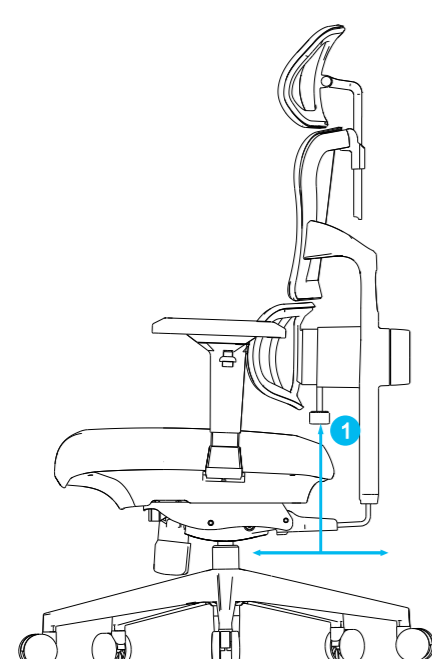
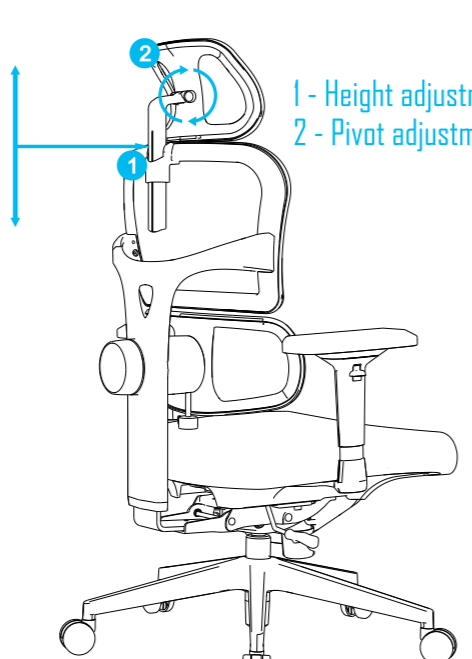


Newtral Chair Standard Version Assembling Instruction

<p>NEWTRAL ERGONOMIC CHAIR</p>  <p>User Manual</p>	<p>PARTS LIST (Note: Drawings are only for reference)</p> <p>NT001 A/0</p> <table border="1"> <tr> <td>A 1PC</td> <td>B 1PC</td> </tr> <tr> <td>C 1PC</td> <td>D 1PC</td> </tr> <tr> <td>E 1SET</td> <td>F 1PC</td> </tr> </table>	A 1PC	B 1PC	C 1PC	D 1PC	E 1SET	F 1PC	<p>HARDWARE PARTS (Note: Drawings are only for reference)</p> <table border="1"> <tr> <td>G M6*16mm 2 PCS</td> <td>H M6*25mm 4 PCS</td> </tr> <tr> <td>I M6*30mm 6 PCS</td> <td>J M8*16mm 3 PCS</td> </tr> <tr> <td>K 1SET</td> <td>L 5mm (80*30) 1 PC</td> </tr> <tr> <td>M 1PC</td> <td>N 5PCS</td> </tr> <tr> <td>O 1PC</td> <td></td> </tr> </table>	G M6*16mm 2 PCS	H M6*25mm 4 PCS	I M6*30mm 6 PCS	J M8*16mm 3 PCS	K 1SET	L 5mm (80*30) 1 PC	M 1PC	N 5PCS	O 1PC		<p>STEP 1</p>  <p>①</p>	<p>STEP 2</p>  <p>②</p>	<p>STEP 3</p>  <p>③</p>
A 1PC	B 1PC																				
C 1PC	D 1PC																				
E 1SET	F 1PC																				
G M6*16mm 2 PCS	H M6*25mm 4 PCS																				
I M6*30mm 6 PCS	J M8*16mm 3 PCS																				
K 1SET	L 5mm (80*30) 1 PC																				
M 1PC	N 5PCS																				
O 1PC																					
<p>STEP 4</p>  <p>④</p>	<p>STEP 5</p>  <p>⑤</p>	<p>STEP 6</p>  <p>⑥</p>	<p>STEP 7</p>  <p>⑦</p>	<p>STEP 8</p>  <p>⑧</p>	<p>Notes & Tips</p>  <p>⑨</p>																

Newtral Chair Standard Version Function Adjusting

<p>NEWTRAL ERGONOMIC CHAIR</p>  <p>Adjustment Manual</p>	<p>Back rest height adjustment</p> 	<p>Armrest adjustment</p>  <p>1 - Height adjustment 2 - Depth adjustment 3 - Width adjustment</p>	<p>Mechanism functions</p>  <p>1 - Seat depth adjustment 2 - Seat height adjustment</p>	<p>Mechanism functions</p>  <p>1 - Tilt tension adjustment 2 - Synchro-tilt function Lockable in 4 positions</p>	<p>Low back support strength adjustment</p> 
<p>Low back support 5 lockable positions</p> 	<p>Headrest adjustment</p>  <p>1 - Height adjustment 2 - Pivot adjustment</p>	<p>For more details: www.newtralchair.com</p>			